

Ladder Rack Kit 12": 60" Long x 12" Wide Ladder



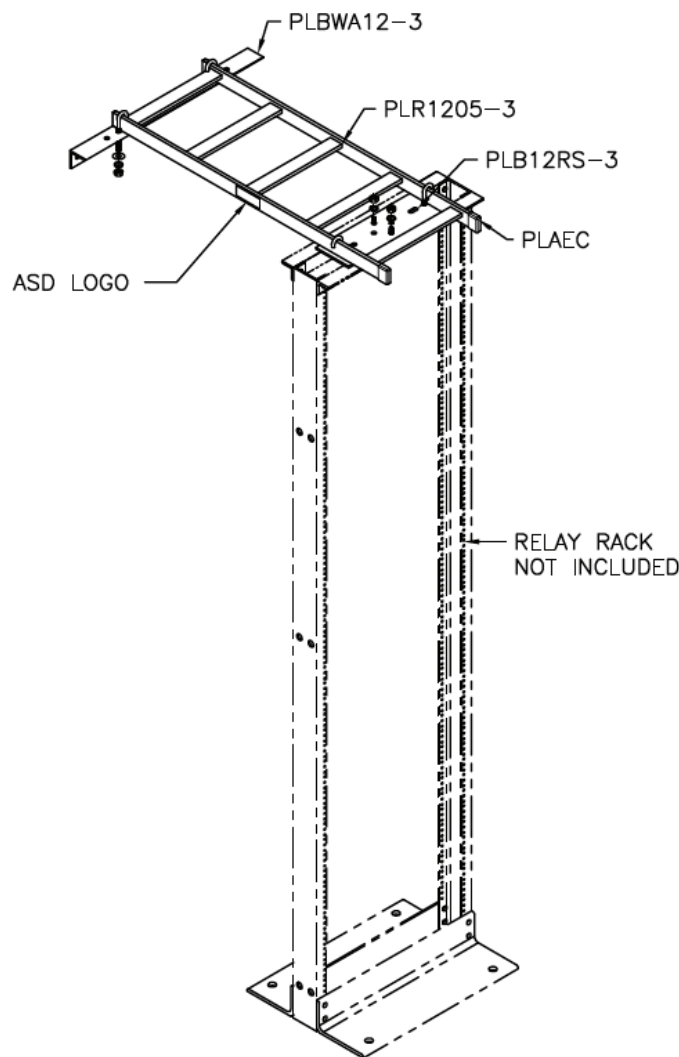
PART NUMBER: RWY-W2RKT-1260-BK

PLAEC	Ladder End Cap (1)
PLR1205-3	Ladder Runway, 60"x12" (1)
PLBWA12-3	Wall Angle Support, 12"W (1)
PLB12RS-3	Ladder to Rack, 12"W (1)

Note: All items individually packed

SPECIFICATIONS

Material:	N/A
Finish:	Powder Coated Black
Max Bend:	R=.030
Relief:	.060 A/R



ETL Communications
Cable Programs

CAT 6